

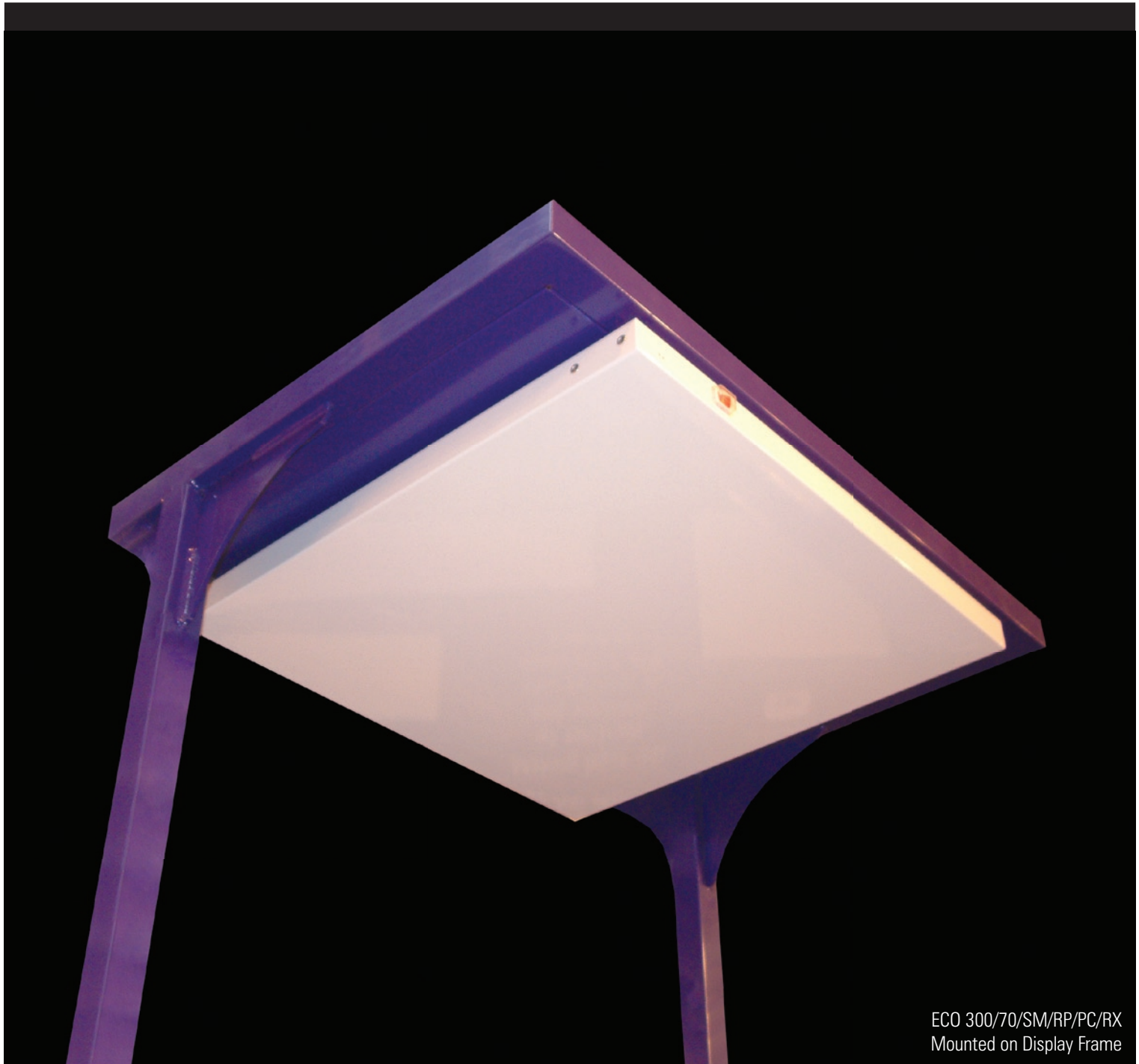
Uniclass L7522	EPIC L22
CI/SfB (56.84)	X



Wireless Heating Systems

CEILING HEATER

with Wireless Time and Temperature Control



ECO 300/70/SM/RP/PC/RX
Mounted on Display Frame

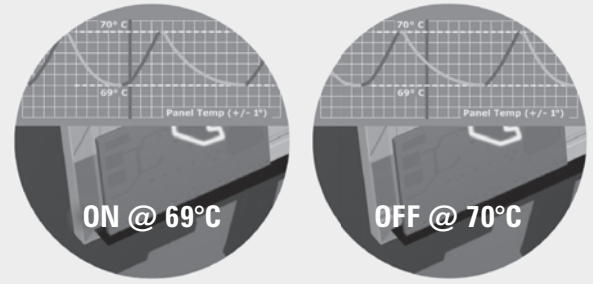
A simple to install wireless controlled heating system for the whole home and commercial applications. Perfect for apartments, public areas, offices, showrooms, shops, nurseries, schools, retirement homes and healthcare!

KEY FEATURES:

- Simply wire the heater to a fuse spur
- Hidden wiring
- No need to manually switch heaters "on" or "off"
- Simple to Programme
- Up to 6 temperature settings per day
- 7 day clock
- Advance mode
- Holiday mode
- Keylock mode
- Economy mode
- Boost Mode
- Inbuilt room temperature sensor
- Frost protection
- Powered by 2 x 1.5v Alkaline batteries

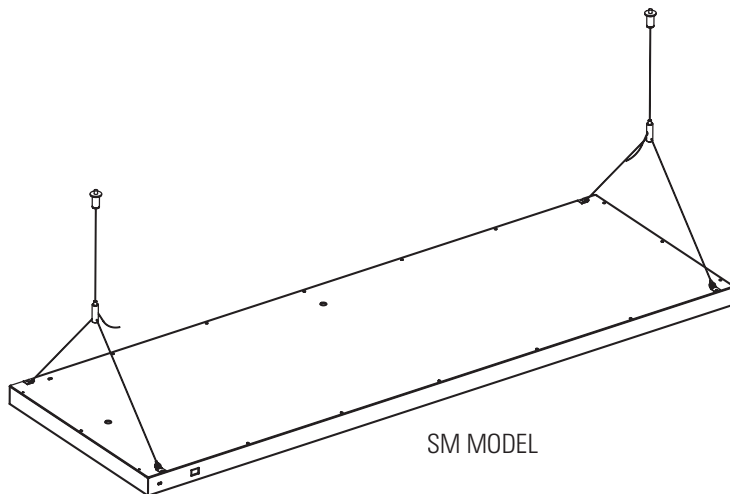
TEMPERATURE RANGE:

Standard 70°C

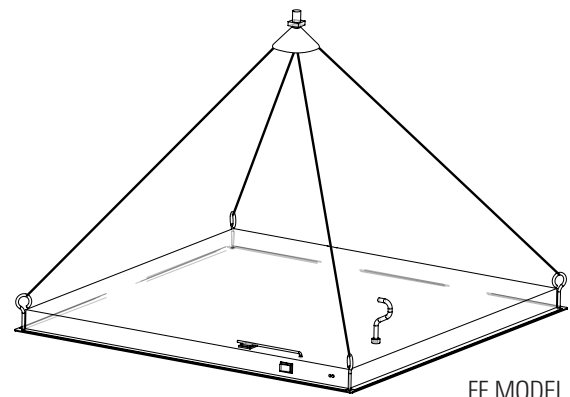


Line Ref.	Code	Dimensions (w x h x d)	Element (Watts)	Output (Watts)	Output (BTU's)
	Powder Coated White				
28.1	ECO 300/70/FF/RP/PC/RX	595 x 595 x 35	300	200	682
28.2	ECO 600/70/FF/RP/PC/RX	1195 x 595 x 35	600	400	1364
28.3	ECO 500/70/SM/RP/PC/RX	1000 x 500 x 40	500	400	1364
28.4	ECO 750/70/SM/RP/PC/RX	1500 x 500 x 40	750	600	2047

HANGING ARRANGEMENT:



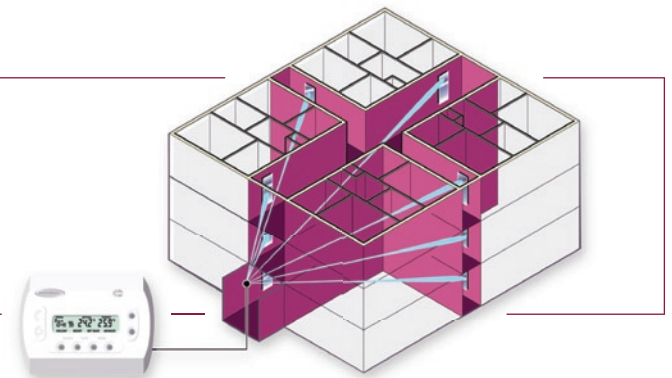
SM MODEL



FF MODEL

The TX control unit sends a 433MHz radio signal to each "registered" heater within a radius of 30 metres.

Each RX panel heater has an inbuilt receiver designed to respond to a signal from the WCT 100/RX



Sharrocks Street, Wolverhampton WV1 3RP

Tel: **01902 457575** Fax: **01902 457797** Email: **sales@ecolec.co.uk** Website: **www.ecolec.co.uk**